

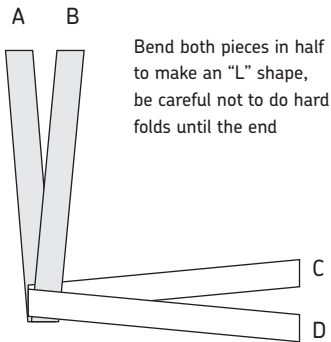
Have you ever done harakeke raranga - flax weaving before? Rosie's found a template so you can make a harakeke ika - a flax fish! No flax around home? Don't worry, Rosie's also included some paper strips so you can still colour, cut and weave your fish/ika!

Share your great work with Rosie!
Upload it to rosiesworld.co.nz/at-home or email to rosie@rosiesworld.co.nz

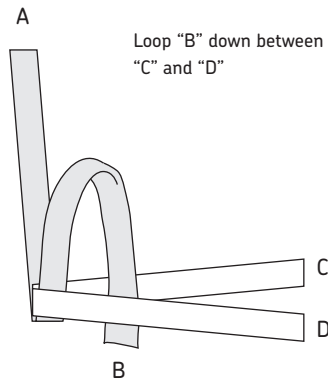
Rosie's world DairyNZ

Make your own Harakeke Ika

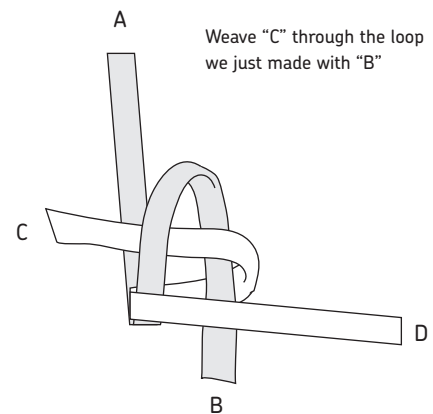
Step 1



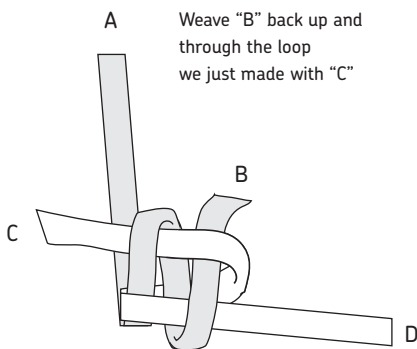
Step 2



Step 3

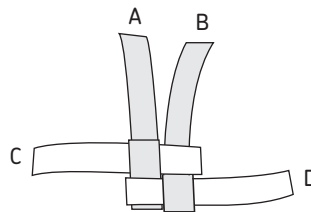


Step 4

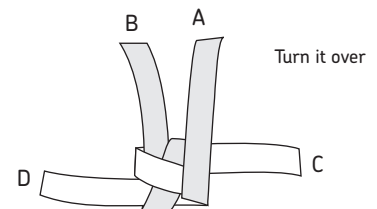


Step 5

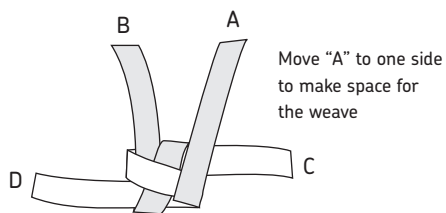
Pull the tails lightly to tighten up a bit



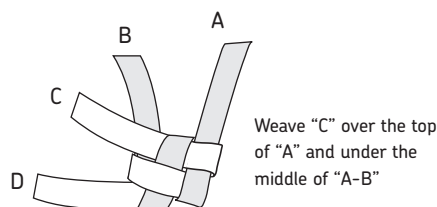
Step 6



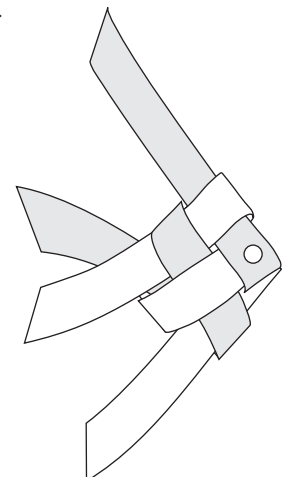
Step 7



Step 8



You've done it! Ka pai. Now to make it more like an ika/fish. Draw an eye and maybe some scales on it.



A

B

C

D

A

B

C

D

A

B

C

D

A

B

C

D

A

B

C

D

A

B

C

D